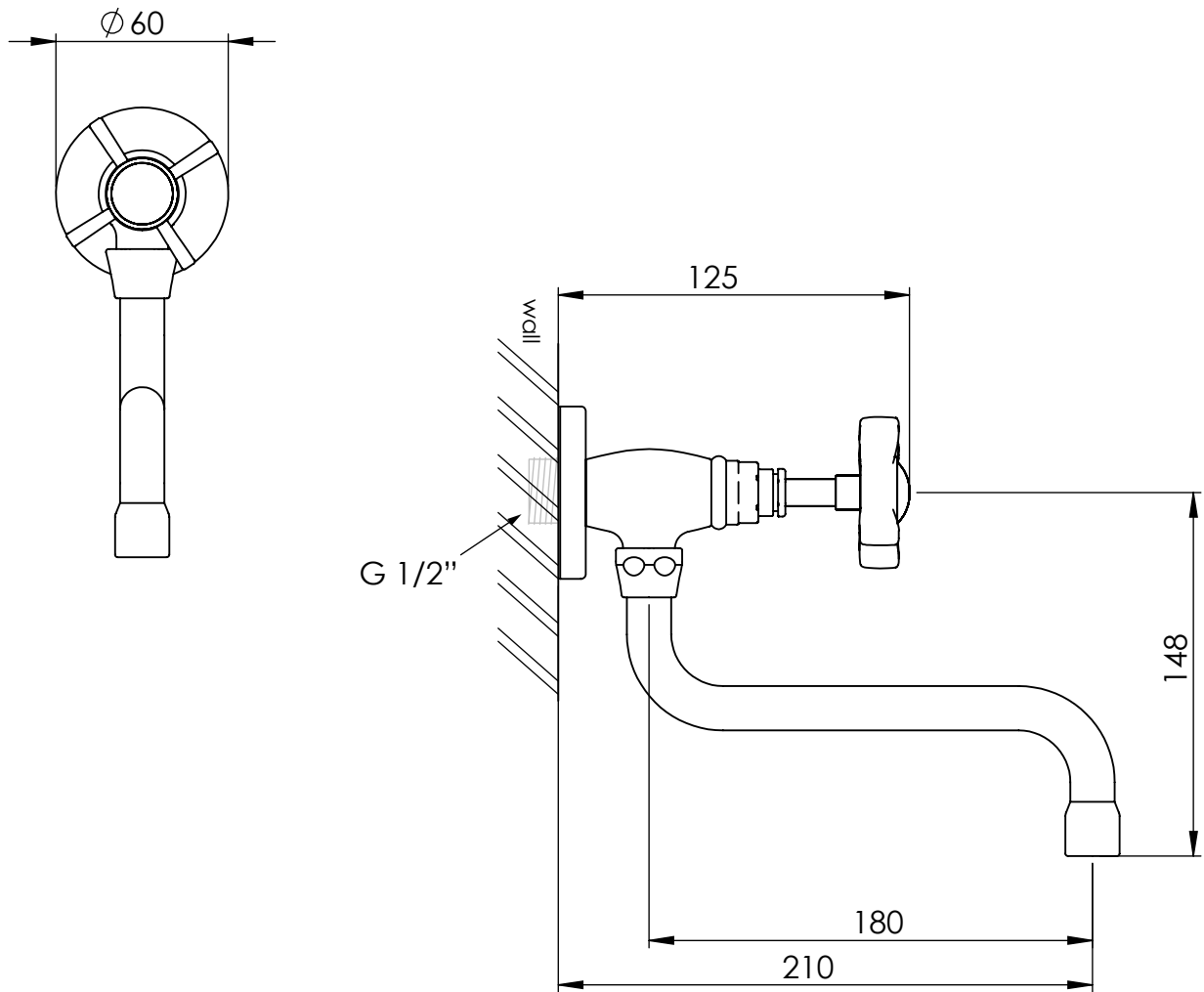




# 1-hole wall mixer



|   |                      |
|---|----------------------|
| Art: <b>NGT718</b>  | Tolerance: $\pm 2\%$ |
| Material:<br>Brass  | Scale: $1/3$         |
| Finish:<br>Chrome, Nickel, Brushed nickel,<br>Gold, Polished brass, Old brass | Box size:            |
|   | Weight:              |

This drawing is property of Kenny&Mason, it may not be reproduced or transmitted to third parties without authorization. Drawings not to scale - All dimensions are nominal (mm) - We reserve the right to alter specifications without notice.

Last review: August 2017