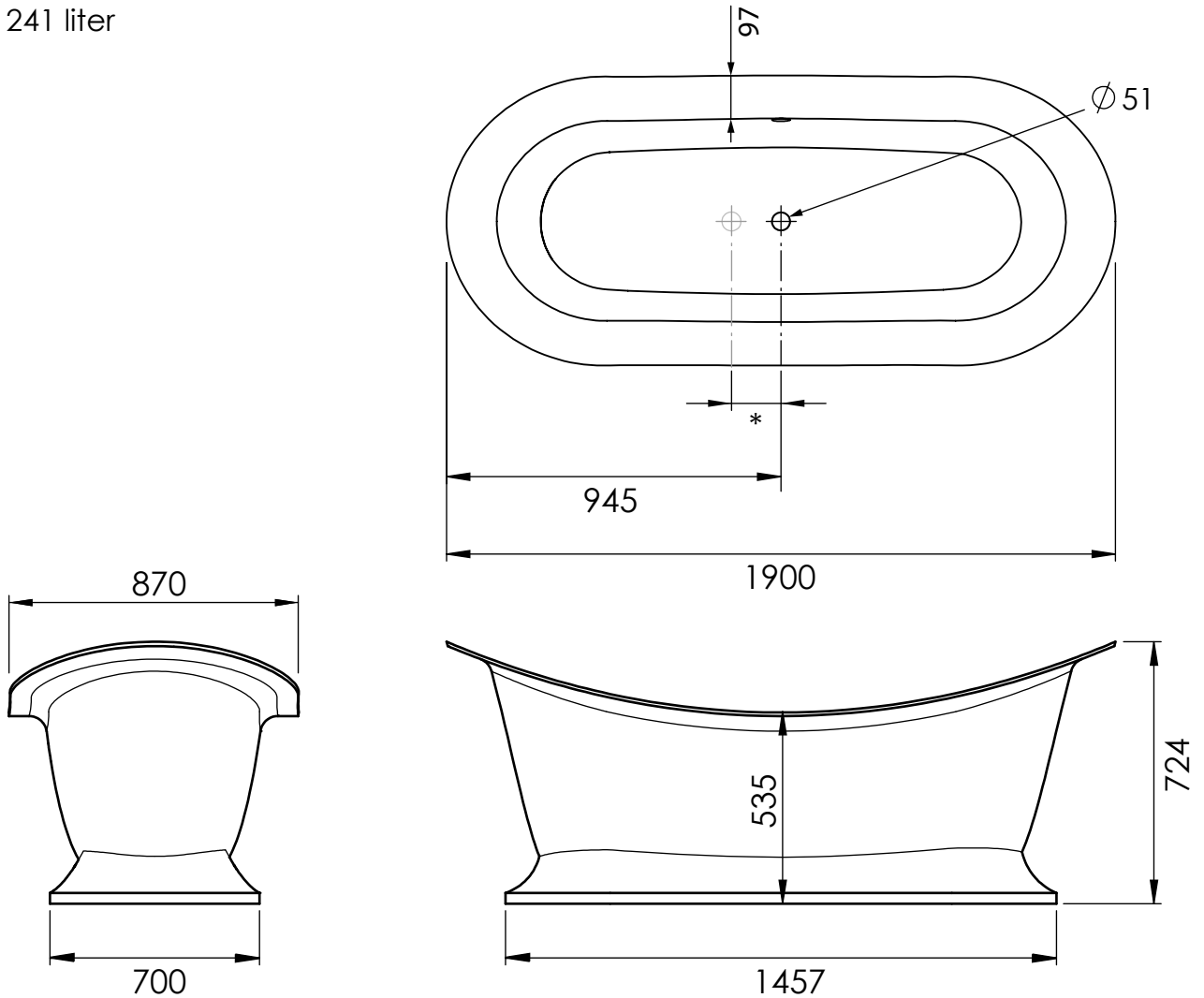




The big white - Quarryl Baths

Capacity: 241 liter



*: Floor connection evacuation tube at 150 - 600 mm offset from crepine. Can be placed at either side of the crepine. Diameter evacuation tube in floor 50 mm. Min offset from plinth = 40 mm

| | |
|-----------------------------------------------------------------|----------------------|
| Art: BW.BA | Tolerance: $\pm 2\%$ |
| Material: Composite: Quarryl Finish: Glossy finish | Scale: 1/20 |
| | Box size: |
| | Weight: 70kg |

This drawing is property of Kenny&Mason, it may not be reproduced or transmitted to third parties without authorization. Drawings not to scale - All dimintions are nominal (mm) - We reserve the right to alter specifications without notice.

Last review: August 2014