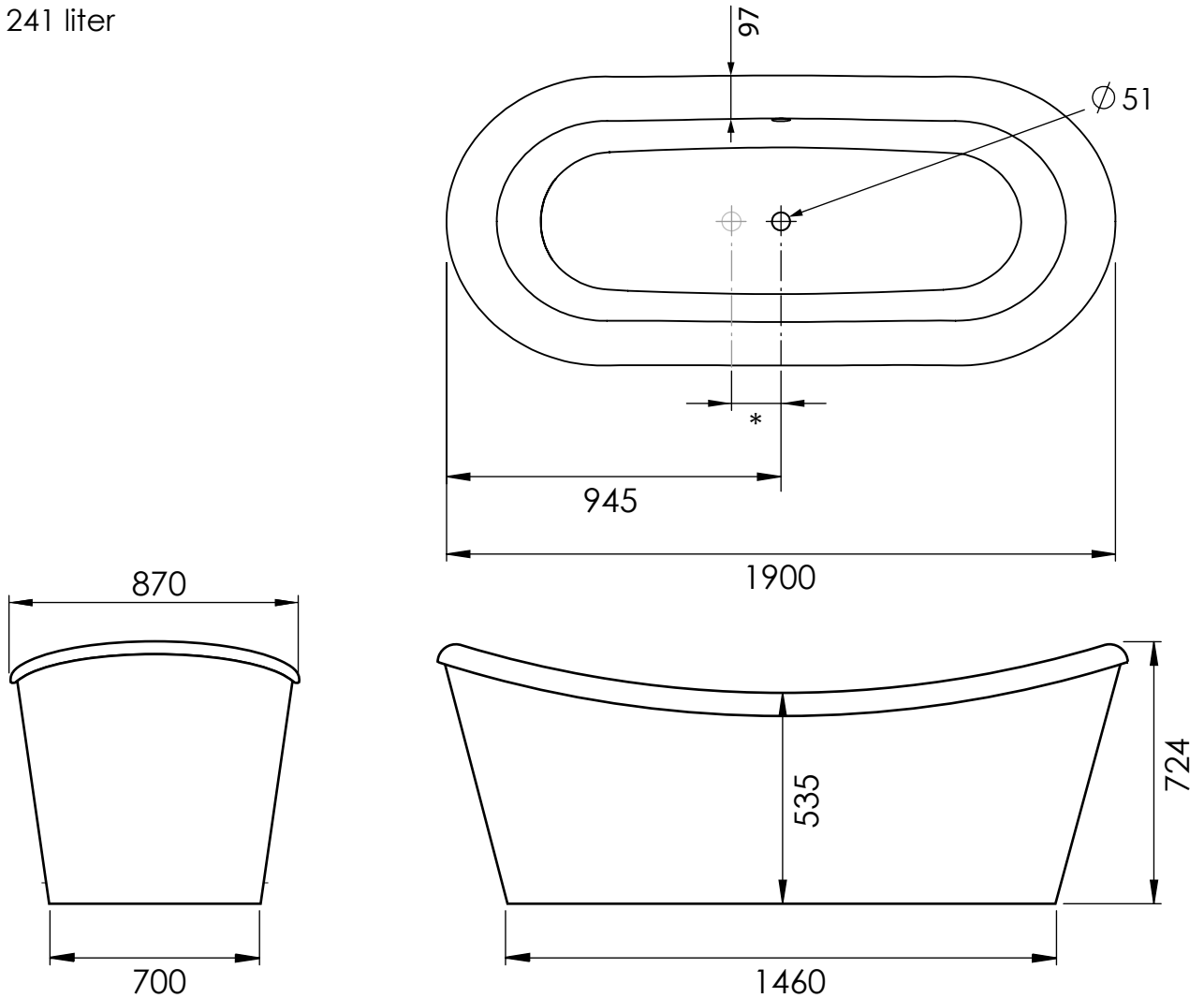




The big zinc - Quarryl/Zinc

Capacity: 241 liter



*: Floor connection evacuation tube at 150 - 600 mm offset from crepine. Can be placed at either side of the crepine. Diameter evacuation tube in floor 50 mm. Min offset from plinth = 40 mm

Art: BZ.BA	Tolerance: $\pm 2\%$
Material: Composite: Quarryl Finish: Glossy finish	Scale: 1/20
	Box size:
	Weight: 70kg

This drawing is property of Kenny&Mason, it may not be reproduced or transmitted to third parties without authorization. Drawings not to scale - All dimensions are nominal (mm) - We reserve the right to alter specifications without notice.

Last review: August 2014