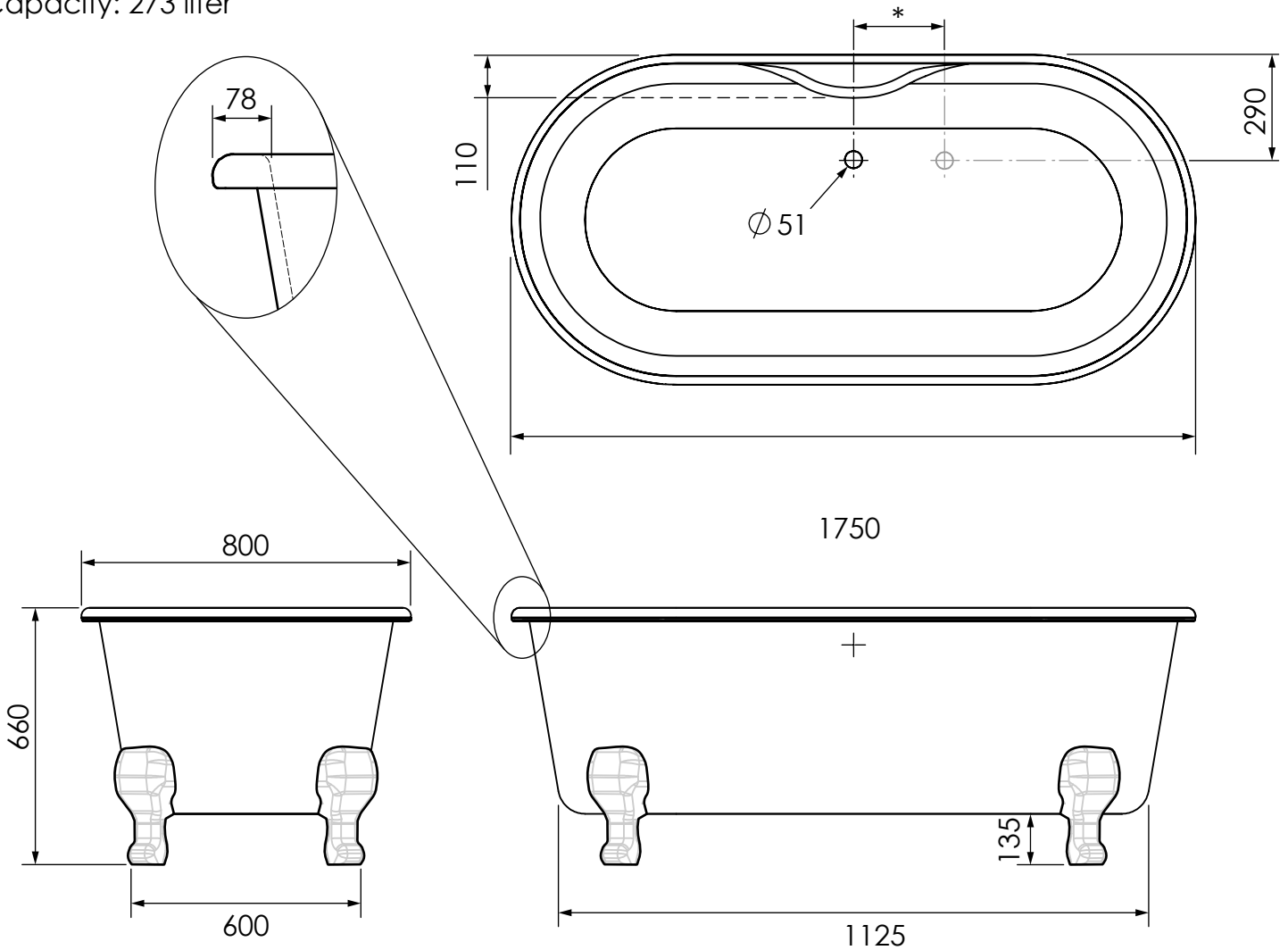




London bath - Quarryl Baths

Capacity: 273 liter



*: Floor evacuation tube at 150 - 400mm offset from crepine. Can be placed at either side of the crepine. Diameter evacuation tube 50mm.

Art: LON.BA	Tolerance: $\pm 2\%$
Material: Composite: Quarryl	Scale: 1/20
	Box size:
Finish: Matt finish	Weight: 64kg

This drawing is property of Kenny&Mason, it may not be reproduced or transmitted to third parties without authorization. Drawings not to scale - All dimintions are nominal (mm) - We reserve the right to alter specifications without notice.

Last review: August 2014