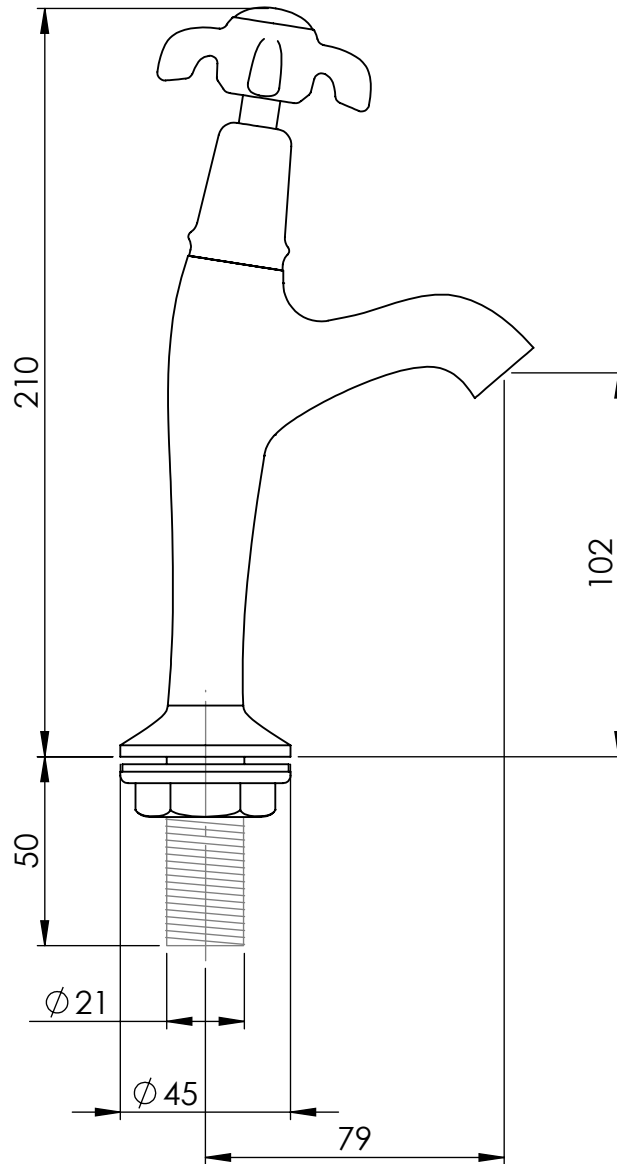




# High neck kitchen pillar tap



Holes to be drilled: 30 mm

Art: NGT1050T

Tolerance:  $\pm 2\%$

Material:  
Brass

Scale: 1/2

Finish:  
Chrome, Nickel, Brushed nickel,  
Gold, Polished brass, Old brass

Box size:

Weight:

This drawing is property of Kenny&Mason, it may not be reproduced or transmitted to third parties without authorization.  
Drawings not to scale - All dimensions are nominal (mm) - We reserve the right to alter specifications without notice.

Last review: August 2014

[www.kenny-mason.com](http://www.kenny-mason.com)



SHEET 1 OF 1