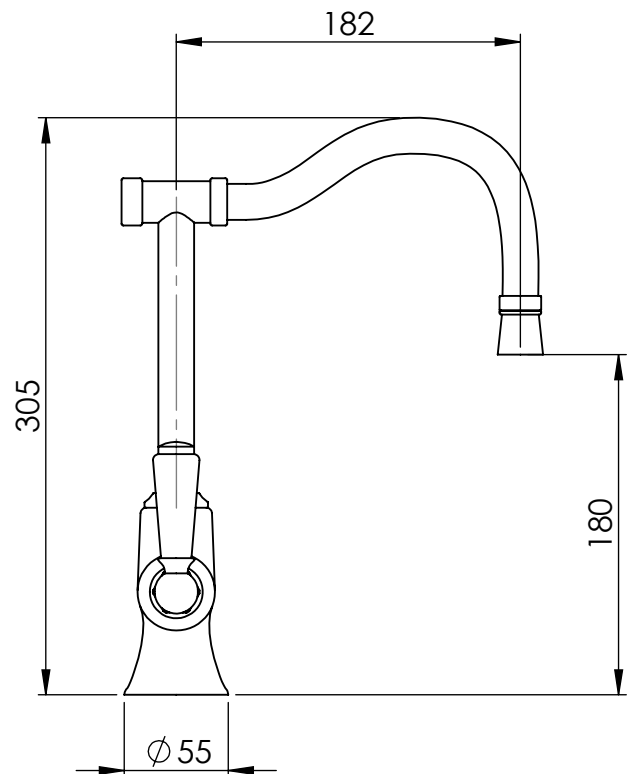
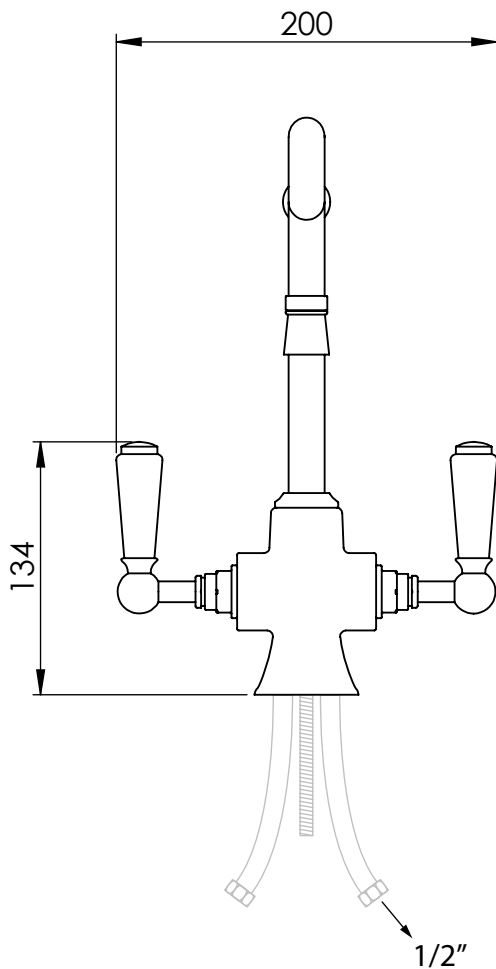




# Block kitchen mixer - French spout



Holes to be drilled: 35 mm  
Maximum deck thickness: 35 mm

|   |                      |
|---|----------------------|
| Art: <b>NGT2006FR</b>   | Tolerance: $\pm 2\%$ |
| Material:<br>Brass  | Scale: 1/4           |
| Finish:<br>Chrome, Nickel, Brushed nickel,<br>Gold, Polished brass, Old brass | Box size:            |
|   | Weight:              |

This drawing is property of Kenny&Mason, it may not be reproduced or transmitted to third parties without authorization. Drawings not to scale - All dimensions are nominal (mm) - We reserve the right to alter specifications without notice.

Last review: August 2014